

Test Report

for GPS L1/ GLONASS L1/BEIDOU1 AVIATION ANTENNA



Model: HXAT0GGBAAV40A

Chengdu HAIXIN MICROWAVE Technology Co., Ltd

Add: Chengdu 610091, China

Tel: +86-28-87089208

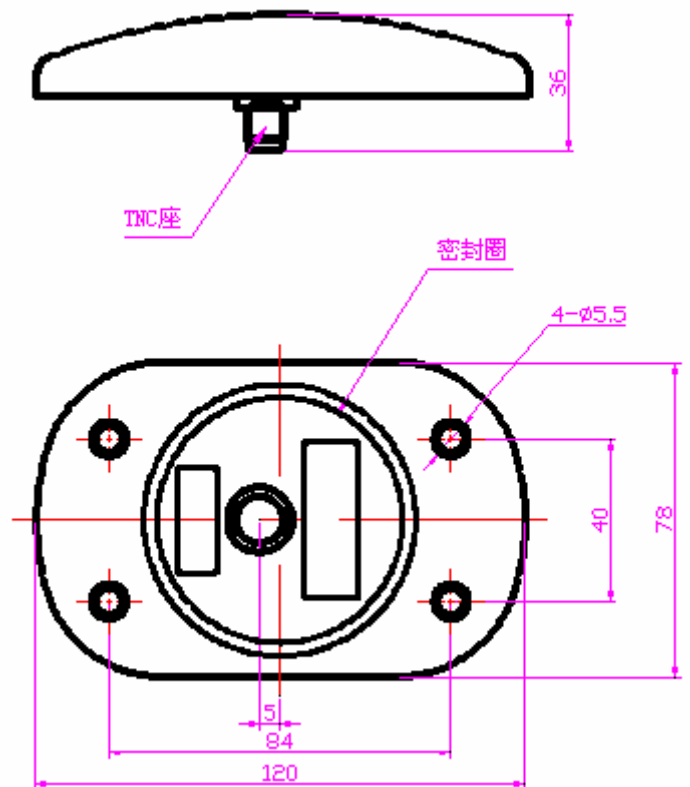
Website: www.hxmicrowave.com

Fax: +86-28-87089208

Email: sale@hxmicrowave.com

Specification

1. Frequency: GPS L1:1575.42MHz±5MHz
GLONASS L1:1602 MHz±8MHz
BD1:2491.75MHz±4MHz
2. Pattern:
Azimuth: Omnidirectional
Elevation: Hemispherical
3. LNA Gain: 39dB±2dB
4. Polarization: Right-hand circular
5. AR: ≤4dB
6. Noise: ≤2dB
7. Impedance : 50 Ω
8. VSWR : ≤2:1
9. Power requirements: Voltage: 5~12VDC
Current: ≤50mA
10. Connector: TNC female
11. Operating Temperature : -40℃~+85℃
12. Store Temperature : -55℃~+85℃
13. Weight: ≈ 200 g
14. Size: 120mm×78mm×36mm



Test Instruments

Agilent 83630B
HP8563E
HP8720D

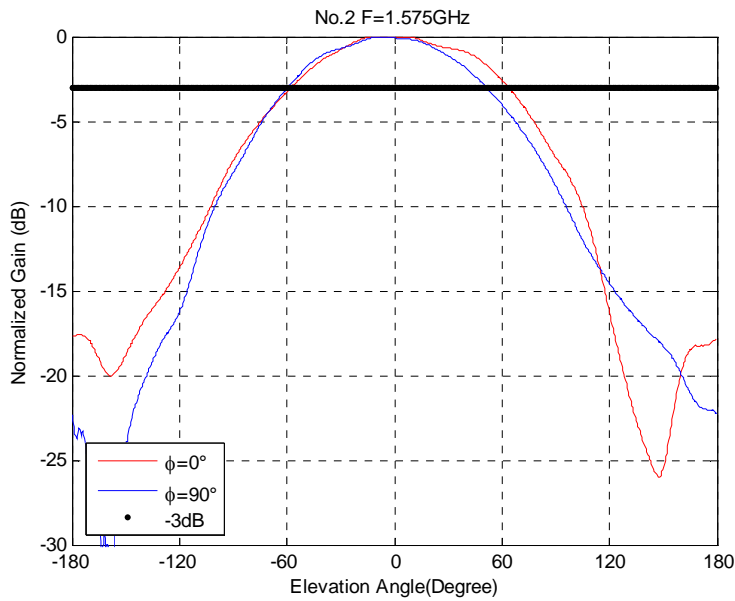
Test Results

1. Gain

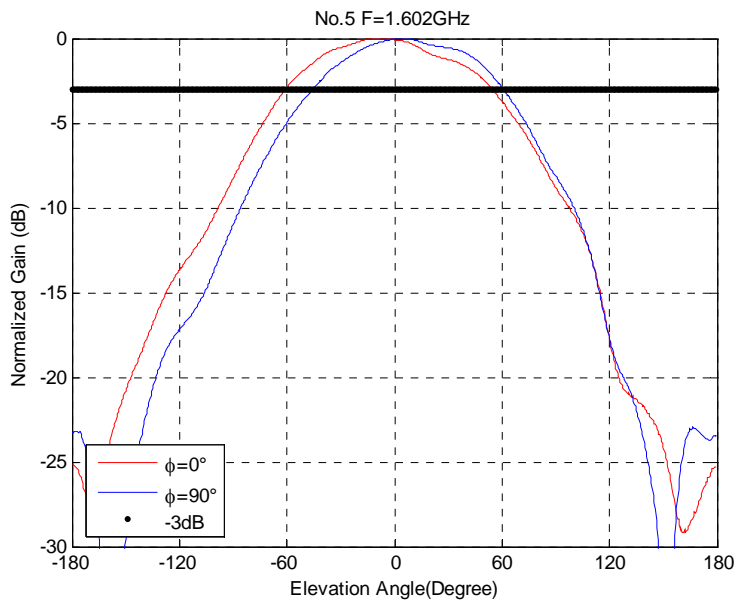
Frequency (GHz)	Gain (dBic)
1.575	43.4
2.492	42.5
1.602	43

2. Pattern

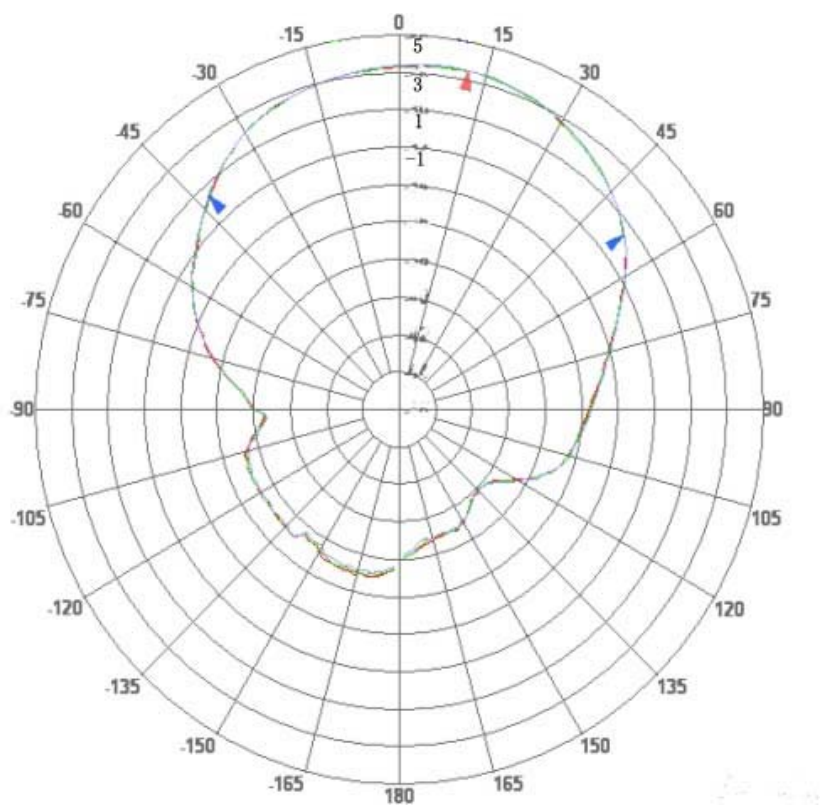
1575MHz



1602MHz



2492MHz



Chengdu SIWI Electronic Co., Ltd

Add: SIWI Electronic Building, Xiejiaji, Chengdu 610091, China

Tel: +86-28-81705119 87360620

Website: www.siwi.com.cn

Fax: +86-28-81707519

Email: market@siwi.com.cn